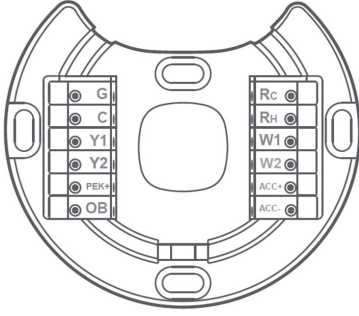


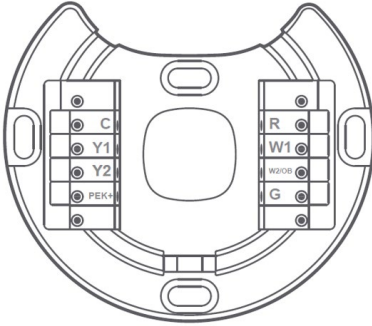
ecobee for Pro

Smart Thermostat **PREMIUM**



Terminals	Conventional	Heatpump	2-Pipe	4-Pipe	PTAC
RC	Cooling 24V Transformer	Cooling 24V Transformer	Single 24V Transformer	Single 24V Transformer	Single 24V Transformer
RH	Heating 24V Transformer	Heating 24V Transformer	S1-Pipe sensor	Not used	Not used
C	Common	Common	Common	Common	Common
Y1	Stage-1 cool	Stage-1 comp	Valve	Cool valve	Stage-1 cool
W1	Stage-1 heat	Stage-1 aux heat	Aux heat	Heat valve	Stage-1 heat
Y2	Stage-2 cool	Stage-2 comp	Med (G2) fan	Med (G2) fan	Med (G2) fan
W2	Stage-2 heat	Stage-2 aux heat	High (G3) fan	High (G3) fan	High (G3) fan
PEK+	PEK module	PEK module	S2-Pipe sensor	Not used	Not used
G	Low fan	Low fan	Low (G1) fan	Low (G1) fan	Low (G1) fan
OB	Not used	Reversing valve	Not used	Not used	Reversing valve
ACC+	1-wire or 2-wire accessory	1-wire or 2-wire accessory	1-wire or 2-wire accessory	1-wire or 2-wire accessory	1-wire or 2-wire accessory
ACC-	2-wire accessory	2-wire accessory	2-wire accessory	2-wire accessory	2-wire accessory

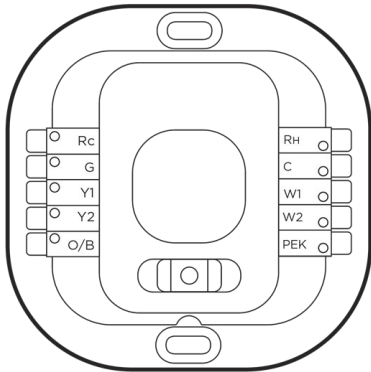
Smart Thermostat **ENHANCED**



Terminals	Conventional	Heatpump	2-Pipe	4-Pipe	PTAC
R	Single 24V Transformer	Single 24V Transformer	Single 24V Transformer	Single 24V Transformer	Single 24V Transformer
C	Common	Common	Common	Common	Common
Y1	Stage-1 cool	Stage-1 comp	Valve	Cool valve	Stage-1 cool
W1	Stage-1 heat	Stage-1 aux heat	Aux heat	Heat valve	Stage-1 heat
Y2	Stage-2 cool	Stage-2 comp	Med (G2) fan	Med (G2) fan	Med (G2) fan
W2/OB	Stage-2 heat	Reversing valve	Not used	Not used	Reversing valve
PEK+	PEK module or 1-wire accessory	PEK module or 1-wire accessory	High (G3) fan	High (G3) fan	High (G3) fan
G	Low fan	Low fan	Low (G1) fan	Low (G1) fan	Low (G1) fan

- No dual-transformer support
- Heat pump configuration supports dual fuel/hybrid system with 1-stage aux heat.
- No support for FCU pipe sensors
- Powered accessories require an add-in isolation relay.

ecobee3 **lite** SMART THERMOSTAT



Terminals	Conventional	Heatpump	2-Pipe	4-Pipe	PTAC
RC	Cooling 24V Transformer	Cooling 24V Transformer	Single 24V Transformer	Single 24V Transformer	Single 24V Transformer
RH	Heating 24V Transformer	Heating 24V Transformer	S1-Pipe sensor	Not used	Not used
C	Common	Common	Common	Common	Common
Y1	Stage-1 cool	Stage-1 comp	Valve	Cool valve	Stage-1 cool
W1	Stage-1 heat	Stage-1 aux heat	Aux heat	Heat valve	Stage-1 heat
Y2	Stage-2 cool	Stage-2 comp	Med (G2) fan	Med (G2) fan	Med (G2) fan
W2	Stage-2 heat	Stage-2 aux heat	High (G3) fan	High (G3) fan	High (G3) fan
PEK+	PEK module	PEK module	S2-Pipe sensor	Not used	Not used
G	Low fan	Low fan	Low (G1) fan	Low (G1) fan	Low (G1) fan
OB	Not used	Reversing valve	Not used	Not used	Reversing valve