

## 5 in 1 HEPA Portable True HEPA Air Cleaner with Ultraviolet Light and Photo Catalytic Filter

The FSP900 Portable True HEPA Air Cleaner by Five Seasons offers 5 in 1 air filtration and sterilization. This patent-pending combination uses HEPA, UVC Germicidal Light (non ozone producing) and Photo Catalytic Oxidation. It disinfects and deactivates allergens, lung damaging atmospheric dust, biological and chemical contaminants and odors, such as formaldehyde, toluene, benzene, cooking odors, tobacco smoke, bacteria, viruses, mold and lots more.

Ideal for residential and light commercial applications where there are allergy, asthma or respiratory sufferers, new construction odors, smokers, pets, cooking odors, mold, water and sewer damage.

**5-Year  
Limited Warranty**

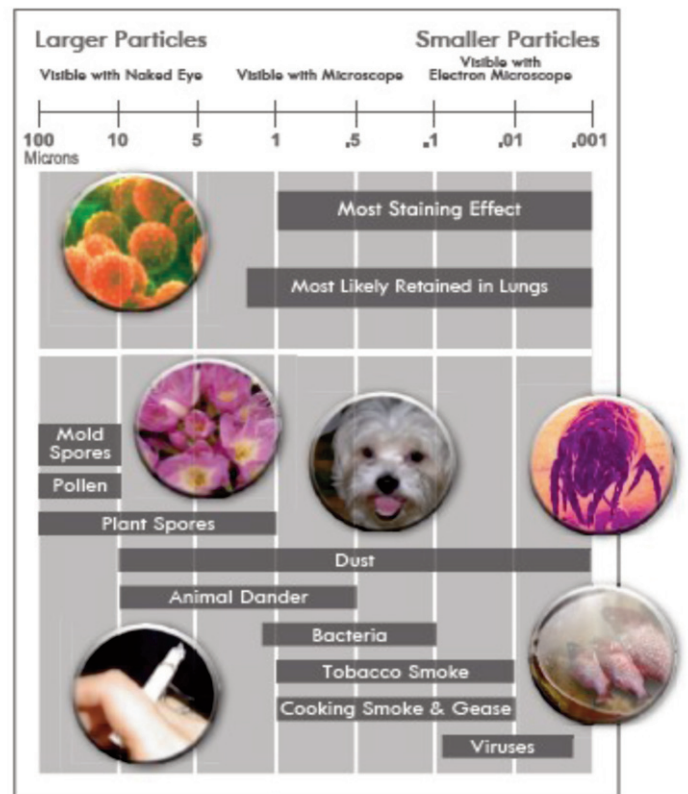


### Standard Features:

- Carbon Prefilter protects the HEPA filter by capturing, hair and larger particles.
- Long-life, 99.97% HEPA Media Filter disinfects and deactivates particles 0.3 micron (1/84,000 of an inch) and larger such as atmospheric and household dust, coal dust, insecticide dust, mites, pollen, mold spores, fungi, bacteria, viruses, pet dander, cooking smoke and grease, tobacco smoke particles and more.
- Two UVC Germicidal Lights are enclosed in a Reflector which intensifies the UV rays.
- The Unique Photo Catalytic Oxidation Filter (PCO) has a very high surface exchange capability and allows UV light into the mass of the material — means there is absorption throughout the whole filter instead of just on the surface. The combination of the UVC light and the filter decomposes organic materials into basic molecules such as H<sub>2</sub>O and CO<sub>2</sub>.
- Carbon/Potassium Permanganate Final Filter for removal of Volatile Organic Compounds (VOC's) and light gases.
- Powerful, variable speed European motor delivers up to 425 m<sup>3</sup>/hr of pure air.
- Plug-in Power Cord provides convenient electrical connection.
- Castors allow easy maneuvering from room to room.

### Cabinet Construction Features:

- Sleek looks that are aesthetically pleasing, blend nicely with any décor.



Universal HVAC/R  
Parts and Supplies

## Specifications:

Models	FSP900-2	
<b>Air Flow: Variable Speed Control</b>	Up to 250 CFM	Up to 425 m <sup>3</sup> /hr
<b>Carbon Prefilter: DM900-0855</b> Removes lint and large particles	Replace every 3-6 months	
<b>Long-Life, 99.97% HEPA Media: DMH4-0400</b> Removes pollutants 0.3 micron	40 ft <sup>2</sup> Replace every 2-4 years	3.7 m <sup>2</sup> Replace every 2-4 years
<b>Germicidal UVC Light: DM900-0191</b> Strongest light intensity kills bacteria, viruses, mold, fungi, allergen	2 Bulbs Replace every 13,000 hours or 2-3 years	2 Bulbs Replace every 13,000 hours or 2-3 years
<b>2 Substrate PCO Filter: DM900-0450</b> Removes Volatile Organic Compounds (VOC's)	Replace every 13,000 hours or 2-3 years	Replace every 13,000 hours or 2-3 years
<b>Carbon/Potassium Permanganate Final Filter: DM900-0810</b> Removes VOC's and light gases	Replace every 1-2 years	Replace every 1-2 years
<b>Complete 2-3 Year Maintenance Kit: DM900-1003</b> Contains 1 HEPA Filter, 4 Carbon Prefilters, 2 UVC Lamps, 1 Photo Catalytic Oxidation (PCO) Filter, 2 Carbon/Potassium Permanganate Final Filters, gloves	Replace every 2-3 years	Replace every 2-3 years
<b>Cabinet Dimensions: H x W x D</b>	29.5 x 16.25 x 12.75 in	74.9 x 41.3 x 32.4 cm
<b>Input Voltage</b>	220 V - 240 V / 50-60 Hz	220 V - 240 V / 50-60 Hz
<b>Power Consumption</b>	200 watts	200 watts
<b>Power Cord</b>	10.0 ft	3.05 m
<b>Unit Weight</b>	47 lbs	21.3 kg

## How It Works:

The air passes through a pleated Carbon Prefilter which captures lint and large particles to extend the life of the HEPA filter.

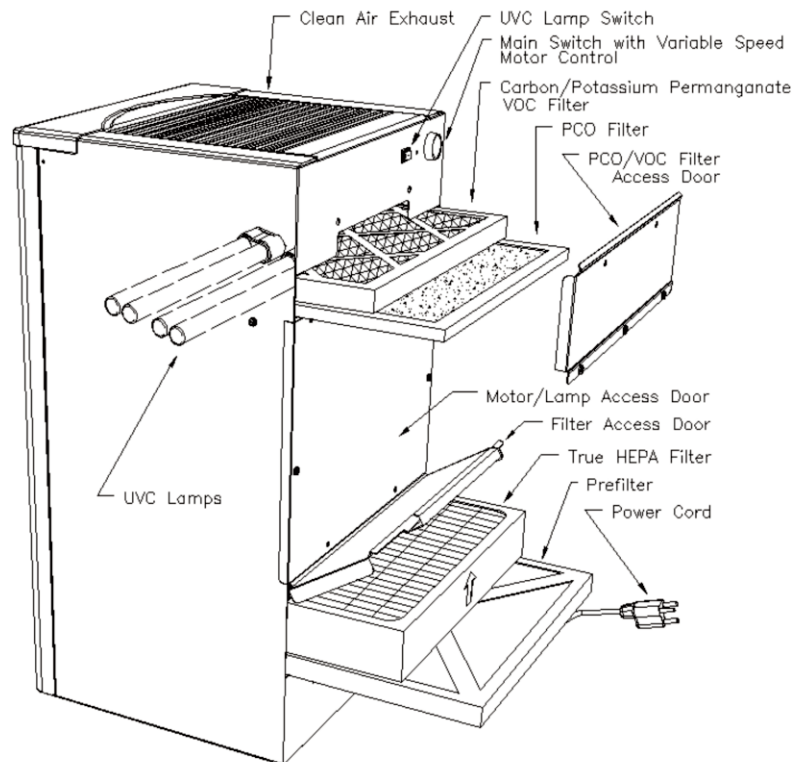
Smaller particles then pass through a long-life, 99.97% HEPA (High Efficiency Particulate Air) Media Filter which captures particles 0.3 micron (1/84,000 of an inch) and larger.

The clean air passes through a reflection chamber where two Ultraviolet Germicidal Lamps emit powerful UVC light rays which are designed to disinfect and deactivate bacteria, viruses, mold, fungus and microbial growth. These are non-ozone producing lamps. The Ultraviolet Lights are also used to activate the unique Media located below the UVC lamps.

The Photo Catalytic Oxidation (PCO) Filter is a Quartz media coated with nanoparticles of Titanium Dioxide (TiO<sub>2</sub>). The combined action of the UVC light and the TiO<sub>2</sub> decomposes organic materials into basic molecules such as H<sub>2</sub>O and CO<sub>2</sub> and reduces odors and VOC's as a result.

A Carbon/ Potassium Permanganate Final Filter further reduces VOC's and light gases.

Clean air is discharged.



**Universal HVAC/R  
Parts and Supplies**