

EXPANDABLE

Replacement Air Cleaner Filter

Helps Disinfect and Deactivate

Our specialized filtration media has an effective combination of particle capture rate, with lower pressure drop, ensuring cleaner air. This media has special emphasis on particulate size that captures most airborne allergens.

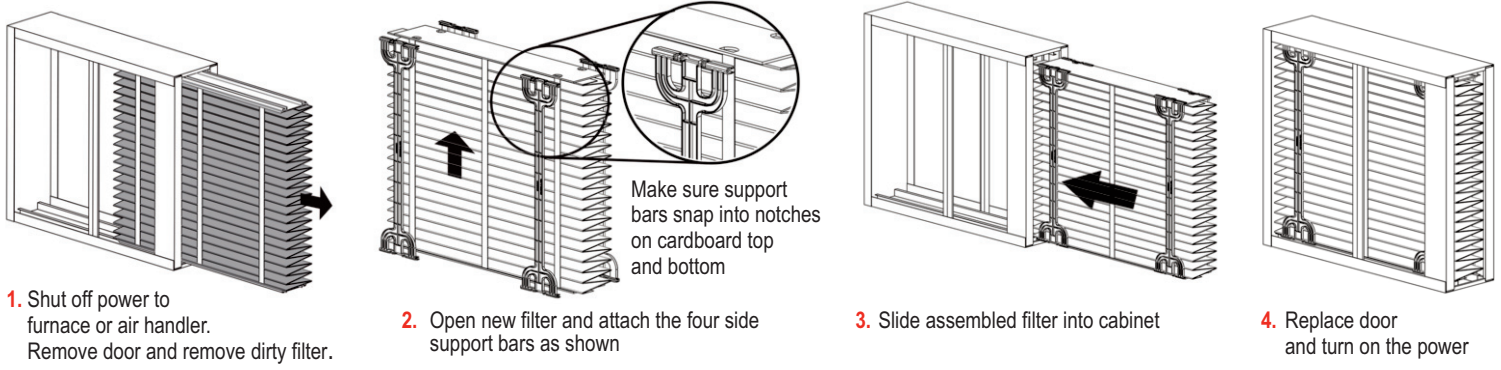
- Quick and Easy to Install
- Reusable legs
- High capacity pleat design
- Lower pressure drop
- Patent pending
- Fits most popular air cleaners
- MERV 11

SPACE
SAVING
DESIGN



Model Number	Size (Actual Dimensions)
TLHWXP1625-11-2	16"H x 25"L x 5"W (15 ³ / ₄ "x24 ³ / ₄ "x4 ¹ / ₄ ")
TLHWXP2025-11-2	20"H x 25"L x 5"W (19 ³ / ₄ "x 24 ⁵ / ₈ "x4 ¹ / ₄ ")
TLAAXP211-2	20"H x 28"L x 5"W (19 ³ / ₄ "x 28 ⁵ / ₈ "x4 ¹ / ₄ ")
TLAAXP411-2	16"H x 26"L x 5"W (15 ³ / ₄ "x26 ³ / ₄ "x4 ¹ / ₄ ")
TLABXP1625-11-2	16"H x 25"L x 5"W (15 ³ / ₄ "x24 ³ / ₄ "x4 ¹ / ₄ ")
TLABXP2025-11-2	20"H x 25"L x 5"W (19 ³ / ₄ "x 24 ⁵ / ₈ "x4 ¹ / ₄ ")

How to install



Helps Disinfect and Deactivate

- MOLDS
- SPORES
- BACTERIA
- DUST
- DUST MITES
- POLLEN
- SMOKE

CLASSIFIED
UL
AIR FILTER UNIT AS TO
FLAMMABILITY ONLY 9JX9

Made in the USA from domestic and foreign components



Universal HVAC/R
Parts and Supplies